

# DT

Digital Thermostat

# DTM

Digital Master Thermostat

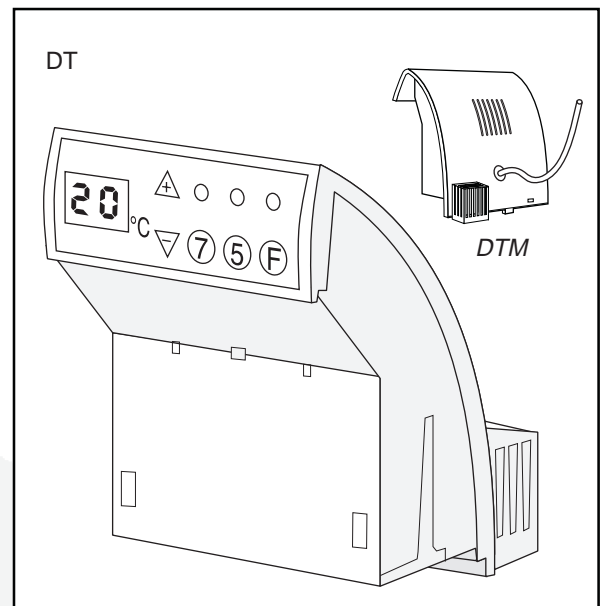


### DT Digital Thermostat

- Digital thermostat with automatically timed temperature reduction
- Can reduce energy consumption for heating by 25%
- Automatically controls two periods of temperature reduction per day (night and morning)
- No reduction on Saturday and Sunday mornings
- Start times for reduction periods may be set freely
- Select freely the number of hours of temperature reduction
- Select freely the temperature reduction setting
- Manual override possible
- Large, illuminated figures show the desired temperature

### DTM Digital Master Thermostat

- Functions as DT
- Easier operation with all controls in one place
- Standard heaters may be both master and slave heaters
- One master heaters can control up to 10 slave heaters
- The control current may be fed to different power circuits
- Galvanic separation of control and power circuits
- 6V DC control voltage



Up to 10 heaters with SLA 5/24 can be controlled by one DTM

### Specifications:

- Built-in automatic temperature reduction for saving energy
- Week by week programming for precise temperature regulation
- Solid state electronic thermostat
- Even temperature regulation, max.  $\pm 0.3$  °C deviation
- Calibration possible (electronically)
- Red LED is lit when the heater is generating warmth
- Flashing green LED indicates that temperature reduction is taking place
- Continuous green LED indicates that temperature reduction is programmed but not active
- Includes a draught cut-off (airing programme). Reverts automatically to saving mode during airing (25% power)

#### Digital electronic thermostat

DT2 (230V)

DT3 (380/400V)

#### Item No.

755 222 410

755 223 410

#### EI. Nr.

54 207 29

#### Digital master thermostat

DTM2 (230V)

DTM3 (380/400V)

#### Item No.

755 222 438

755 223 438

#### EI. Nr.

54 208 02

# DT

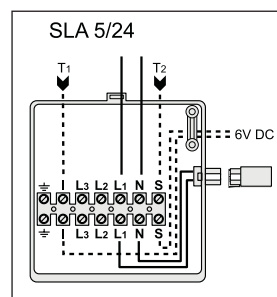
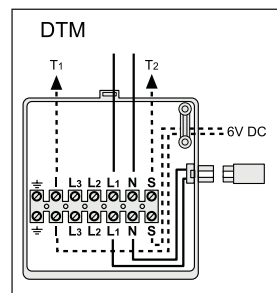
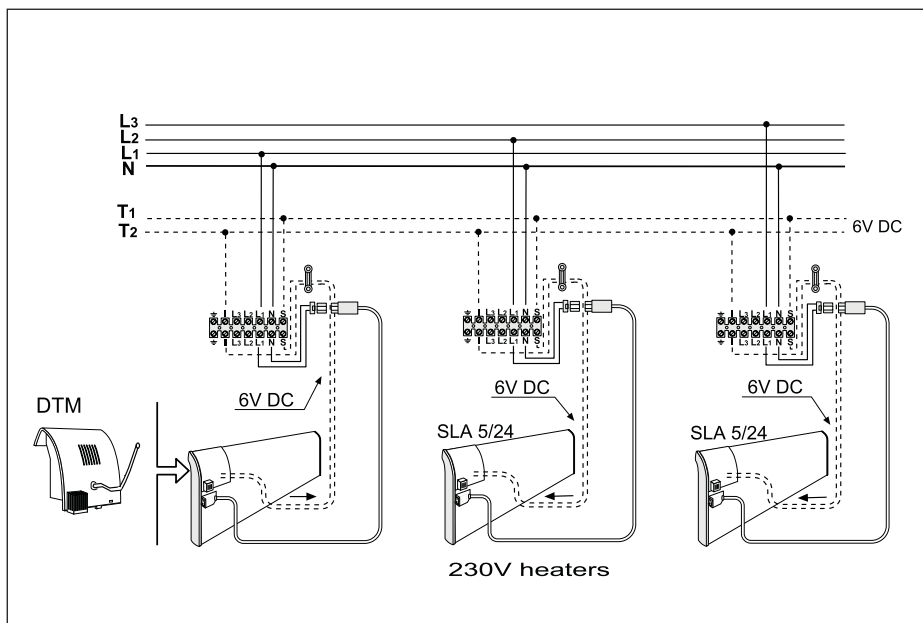
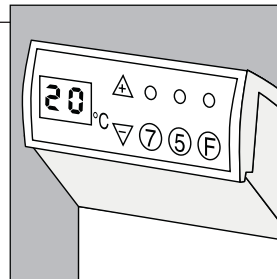
Digital Thermostat

# DTM

Digital Master Thermostat

### Brief description of the thermostat's functions:

Set correct weekday	Press on F for five seconds. The display shows "d" and a number. Press + or - to set the day; Monday = d1, and so on.
Temperature setting	Press + or -.
Start temperature reduction period	Press down on 7 or 5 for at least 5 seconds.
Delete temperature reduction programme	Press down on 7 or 5 for at least 5 seconds.
Skip a reduction period	Hold down F and press shortly once on 7 or 5. Release F.
Alter the length of a reduction period	Hold down on F and press twice on 7 or 5. Release F. Make a selection using + or -.
Alter the reduction temperature	Hold down on F and press three times on 7 or 5. Release F. Make a selection using + or -.
Calibrate the thermostat	Press on F for at least 5 seconds until "d" is shown on the display. Release, then press F once more while "d" is displayed. Calibrate using + or -.



**NB!**  
 DT regulates the temperature of slave heaters even when the power switch is turned off (at 0), and the display is dimmed. The power switches on the slave heaters must be turned off (set to 0) to inactivate them.