

ETS 18

Hotel Thermostat



ETS 18

ETS-18 is constructed for use where it is desirable that room temperature be reduced when the room is not in use or at night when the occupants are sleeping.

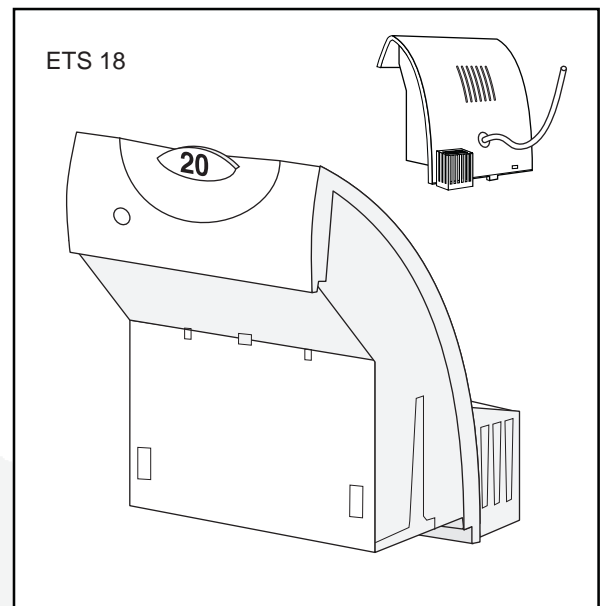
ETS-18 reverts to temperature reduction when it does not receive a 230 V AC control signal input.

When 230 V AC is applied via the control signal terminal, the thermostat may be adjusted manually within a range of 14–24°C. Whatever temperature has been set manually, the temperature reduction setting is 18°C.

The typical area of use is hotel rooms where the 230 V AC control signal is switched on and off via a key card switch.

Specifications:

- The 230 V AC control signal allows manual setting between 14 and 24°C
- The absence of a control signal gives a setting of 18°C
- 140 cm, 2-lead control signal cable
- Solid state, silent thermostat
- 40 second duty cycle
- Even temperature regulation, max. $\pm 0.3^{\circ}\text{C}$
- Calibration possible (mechanical)
- Red LED lights when the heater is generating warmth



ETS 18 "Hotel Thermostat"
ETS 18

Item No.
755 222 700

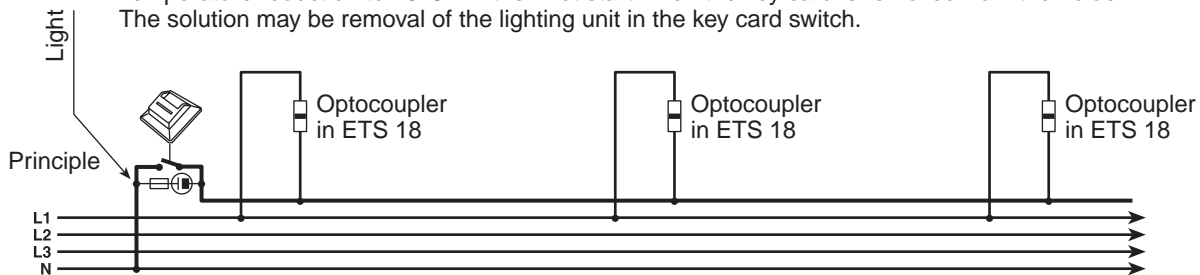
EI. Nr.
54 208 14

ETS 18

Hotel Thermostat

NB! Possible malfunction of ETS 18

Key card switches with lights can supply an undesired current to the ETS 18 control signal input. Temperature reduction to 18°C will then not start when the key card is removed from the holder. The solution may be removal of the lighting unit in the key card switch.



Diagram

ETS 18 (hotel thermostat) in a 3-phase circuit.
The control signal leads are connected to N and L1.
(NB! IMPORTANT! Control signal from the same phase to all heaters.)

